

B10 Pressure Relief Valve



The recently introduced B10 valve replaces our successful A10 valve, offering higher flow and a much smoother external profile. The B10 valve is now well established as the market leading pressure relief valve for SOLAS liferafts and Marine Evacuation Systems. This valve is also ideal for applications such as lifting bags, oil booms and large inflatable structures where high flows are required.

The valves are clearly marked with batch number and pressure setting. A wide range of pressure settings is available – please see Pressure Selection Chart.

It is also available as a non-return valve with a nominal opening pressure of 0.25psi (0.017bar).

The B10 can be supplied with an attached plug or with the plug separately.

General benefits of the Leaffield B10 Pressure Relief Valve

- Very high flow rate.
- ISO 15738 approved for SOLAS liferafts.
- Very smooth external profile.
- 100% tested for opening and closing pressures during production.
- –40°C to +80 °C operating temperature.
- Rugged, design to ensure long life.
- Low, smooth internal profile to protect fabric when deflated.
- Plug option available.
- Rapid installation with clamp fitting – no welding or adhesive required.



Rugged, design to ensure long life



Very smooth external profile

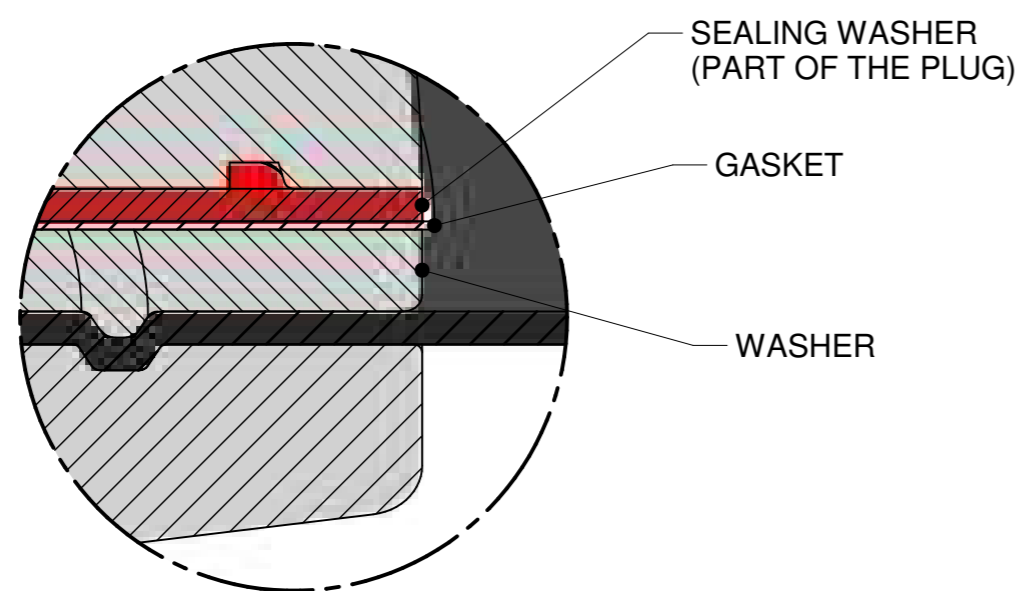
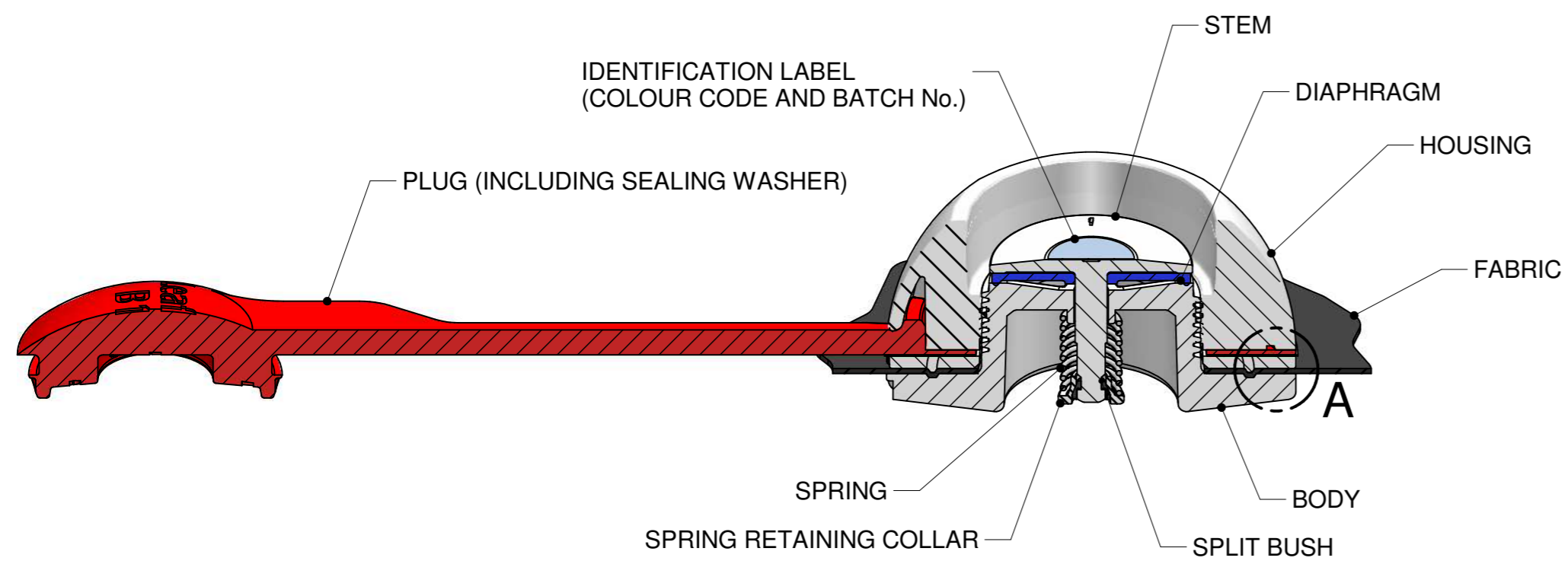
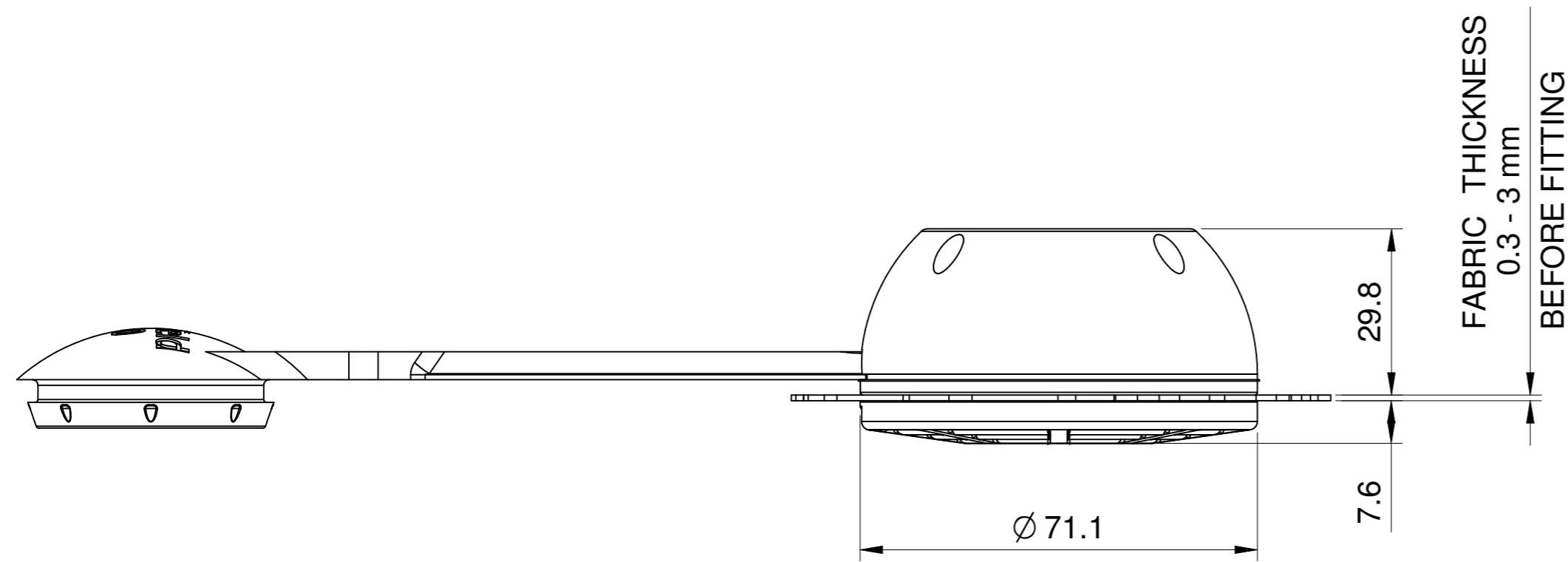


High Pressure Cap Available

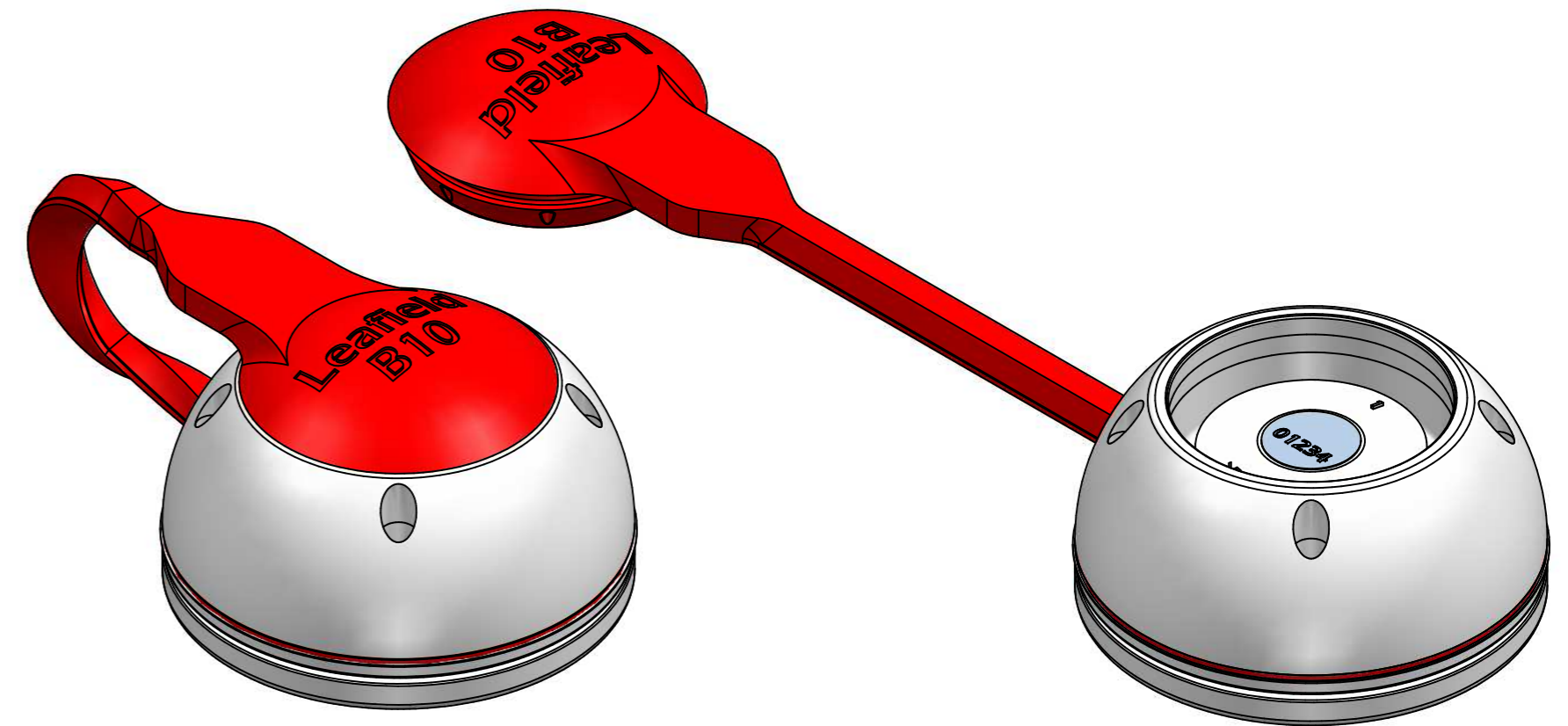
Contact Details

Leaffield Marine Ltd.,
9 Atworth Business Park, Bath Road,
Atworth, Wiltshire, United Kingdom SN12 8SB

Tel: +44 (0)1225 899550
Fax: +44 (0)1225 709587
Email: sales@leaffieldmarine.co.uk
Website: www.leaffieldmarine.co.uk



DETAIL A
5:1



1.0 STORAGE

- 1.1 - STORE IN SEALED BAGS.


2.0 INSTALLATION

- 2.1 - HOLE REQUIRED FOR VALVE INSTALLATION = $\text{Ø}39.0/\text{39.5mm}$.
- 2.2 - IF A DOUBLER IS REQUIRED ON FABRIC WHICH IS SEALED ON BOTH SURFACES IT MUST BE FITTED TO THE OUTSIDE SURFACE OF THE BUOYANCY CHAMBER TO PREVENT LATERAL LEAKAGE.
FOR ALL OTHER FABRIC TYPES CONTACT LEAFIELD MARINE.
- 2.3 - MAXIMUM TIGHTENING TORQUE WHEN FITTED TO 0.3 - 1.0mm THICK FABRIC = 25/29Nm (18.4/21.4 lbf.ft).
- MAXIMUM TIGHTENING TORQUE WHEN FITTED TO 1.0 - 3.0mm THICK FABRIC = 18/22Nm (13.3/16.2 lbf.ft).
- THE VALVE ASSEMBLY SHOULD BE RE-TORQUED AFTER AT LEAST 12 HOURS.
- 2.4 - SPECIAL ADAPTORS ARE AVAILABLE TO ENABLE STANDARD 1/2" SQUARE DRIVE EQUIPMENT TO BE USED TO TIGHTEN THE VALVE ASSEMBLY.
- PART NO. TM872 MATES WITH THE BODY.
- PART NO. TM2582 MATES WITH THE HOUSING.
- 2.5 - NO LUBRICANTS TO BE USED DURING ASSEMBLY OF THIS VALVE.
- 2.6 - IT IS THE USERS RESPONSIBILITY TO ENSURE THAT ANY FLUIDS USED DURING INSTALLATION OR OPERATION ARE COMPATIBLE WITH THIS VALVE.
- 2.7 - VARIOUS OPENING AND RESEAT PRESSURES ARE AVAILABLE.
PLEASE SEE THE B10 SELECTION CHART No.0802003

3.0 SERVICING

- 3.1 - THERE ARE NO USER SERVICEABLE PARTS IN THE ASSEMBLY.
- 3.2 - IF IT IS NECESSARY TO CLEAN THE VALVE ONLY USE HOUSEHOLD DETERGENT AND WARM WATER.
- DO NOT USE SOLVENT CLEANERS.

**FOR FURTHER INFORMATION PLEASE CONTACT
LEAFIELD MARINE LIMITED.**

 UNIT 9, ATWORTH BUSINESS PARK BATH ROAD ATWORTH WILTSHIRE SN12 8SB TEL: 01225 899550	TITLE INSTRUCTION SHEET FOR THE B10 PRESSURE RELIEF VALVE	
	DRAWING No. 0901003	REV. No. 01c

B10 Factory Fitting Tool

B10 Factory Spanner.

Used in conjunction with a torque spanner to ensure that the correct tightening torque is applied, consistently, every time when installing the valve. Avoids damaging the valve during tightening.

Order Code: 0901004



B10 Cap

Designed to remain airtight to at least 8 P.s.i.

Order Code: 18532



B10 High Pressure Cap

For use when testing at over 8 P.s.i.

Order Code: TM2570



Contact Details

Leaffield Marine Ltd.,
9 Atworth Business Park, Bath Road,
Atworth, Wiltshire, United Kingdom SN12 8SB

Tel: +44 (0)1225 899550
Fax: +44 (0)1225 709587
Email: sales@leaffieldmarine.co.uk
Website: www.leaffieldmarine.co.uk

B10 Valve Customer Pressure Selection Chart

Colour Code	Nominal Pressure		Maximum Opening		Minimum Sealing	
	Psi	Bar	Psi	Bar	Psi	Bar
Violet	0.5	0.03	0.76	0.05	0.36	0.02
Grey	1.1	0.08	1.2	0.08	0.73	0.05
Yellow	1.75	0.12	2.13	0.15	1.48	0.10
Blue	2	0.14	2.46	0.17	1.7	0.12
Brown	2.5	0.17	3.07	0.21	2.31	0.16
White	2.75	0.19	3.4	0.23	2.35	0.16
Green	2.8	0.19	4.02	0.28	2.82	0.19
Orange	3.25	0.22	4.31	0.30	3.0	0.20
Red	4.00	0.28	5.0	0.35	3.48	0.24
Black	4.25	0.29	5.65	0.39	4.27	0.29
Lt Blue	0.25	0.02	>0.25	>0.02	-0.25 (Back Pressure)	-0.02 (Back Pressure)

Contact Details

Leaffield Marine Ltd.,
9 Atworth Business Park, Bath Road,
Atworth, Wiltshire, United Kingdom SN12 8SB

Tel: +44 (0)1225 899550
Fax: +44 (0)1225 709587
Email: sales@leaffieldmarine.co.uk
Website: www.leaffieldmarine.co.uk