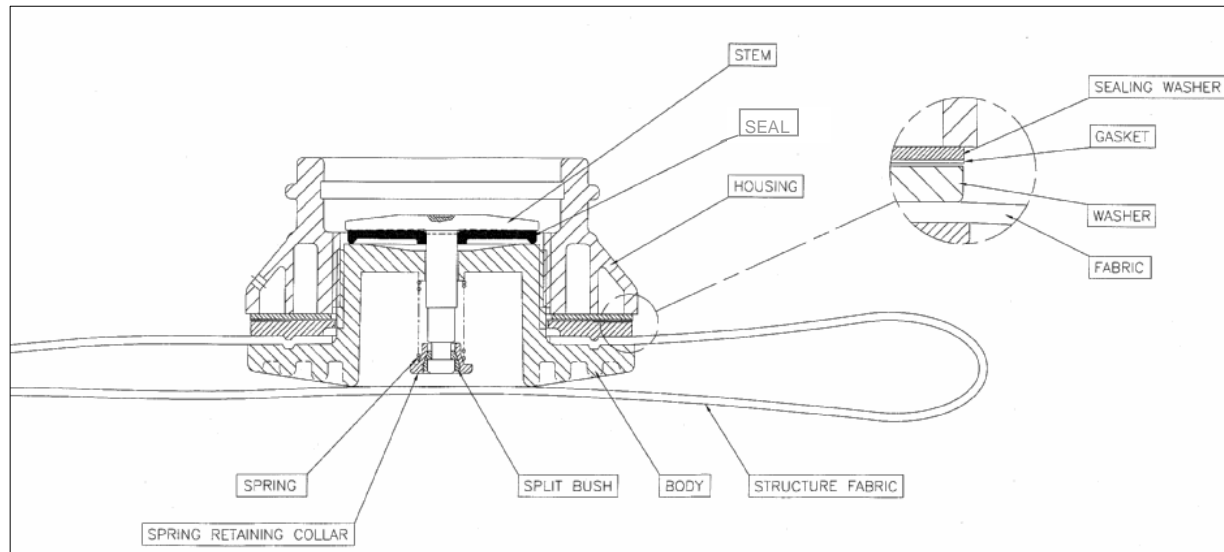


## A10 Valve Cleaning Instructions

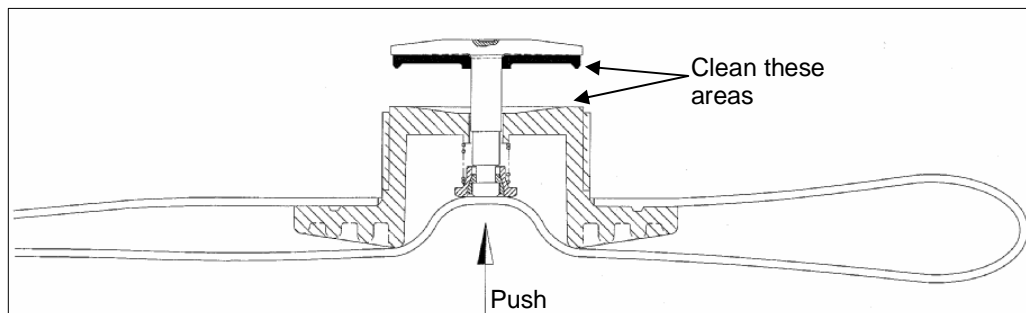
This process can be used when valves are already fitted to a structure.

**Critical: The silicone grease used on the valve seal must never come into contact with the threads.**

1. Deflate the tube.
2. Support the valve from underneath- it can fall into the tube once the housing is unscrewed.



3. Unscrew and remove the Housing and 3 Washers/Gaskets.
4. Push the Stem of the valve to move the Seal away from the body. This can be done through the tube fabric. The Seal should stay stuck to the flat face of the Stem.



5. Using a clean finger, gently wipe round the face of the Body and the Seal bead. Do not use any solvents or detergents on the seal faces.

**Critical: Make sure none of the grease from the body or seal gets onto the body thread. Grease can reduce the torque during installation and cause a failure.**

6. Release the stem, refit the washers and housing. Tighten in accordance with the installation instructions and retest.
7. If this does not cure the leak, the valve must be replaced.